

## Arch Handles

### Aluminum

#### SPECIFICATION

##### Types

- Type **A**: Mounting from the back (threaded blind bore)
- Type **B**: Mounting from the operator's side

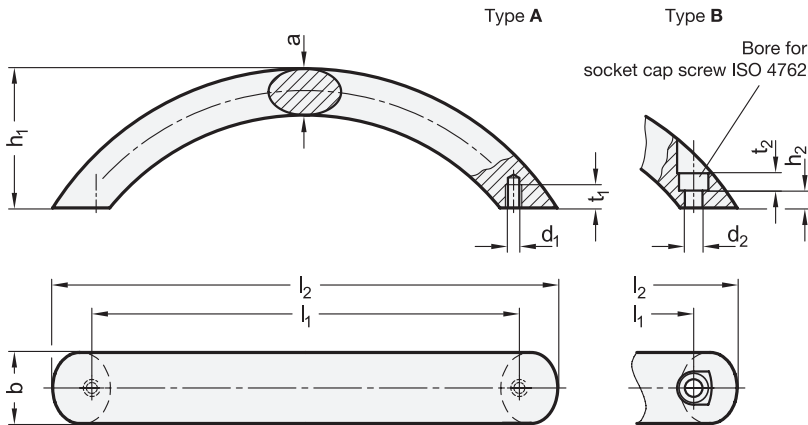
##### Aluminum

- Powder coated
  - Black, RAL 9005, textured finish **SW**
  - Red, RAL 3000, textured finish **RS**
  - Silver, RAL 9006, textured finish **SR**
- Anodized, natural color **EL**
- Plain finish, tumbled **BL**



#### TECHNICAL INFORMATION

- Load Rating Information (see page A35)



\* Complete with



#### GN 565.4-A

Description	b	l <sub>1</sub>	a	d <sub>1</sub>	h <sub>1</sub> ≈	l <sub>2</sub> ≈	t <sub>1</sub> min.	Δ
GN 565.4-20-160-A-*	20	160	13	M 6	50	185	8	106
GN 565.4-20-192-A-*	20	192	13	M 6	50	221	8	125
GN 565.4-26-160-A-*	26	160	17	M 8	57	190	11	188
GN 565.4-26-192-A-*	26	192	17	M 8	57	227	11	215

#### GN 565.4-B

Description	b	l <sub>1</sub>	a	d <sub>2</sub>	h <sub>1</sub> ≈	h <sub>2</sub>	l <sub>2</sub> ≈	t <sub>2</sub>	Δ
GN 565.4-20-160-B-*	20	160	13	5.3	50	5	185	5	108
GN 565.4-20-192-B-*	20	192	13	5.3	50	5	221	5	120
GN 565.4-26-160-B-*	26	160	17	6.4	57	6	190	6	190
GN 565.4-26-192-B-*	26	192	17	6.4	57	6	227	6	218

Weight SW